

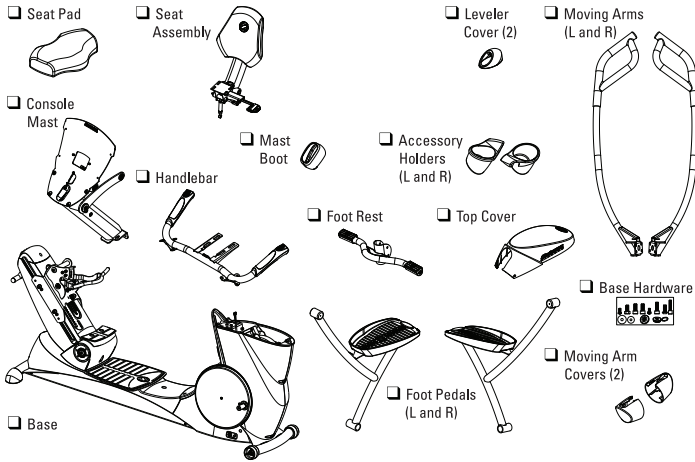
Octane XR6000 Seated Elliptical



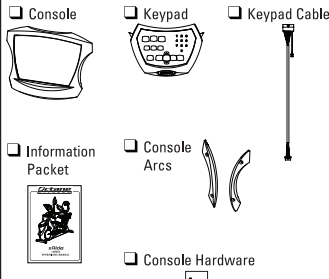
Octane XR6000 Seated Elliptical



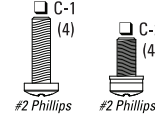
Base Box



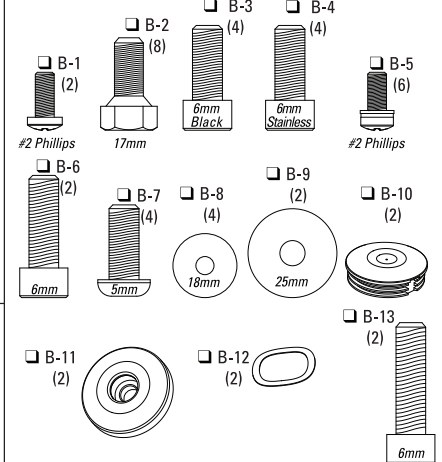
Console Box



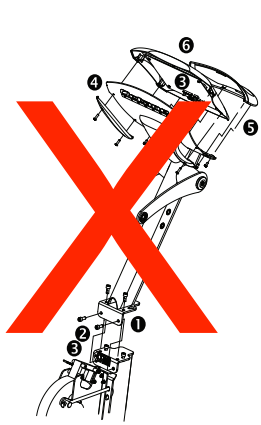
Console Hardware



Base Hardware

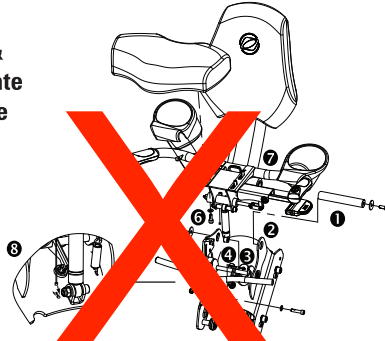


A Console & Keypad



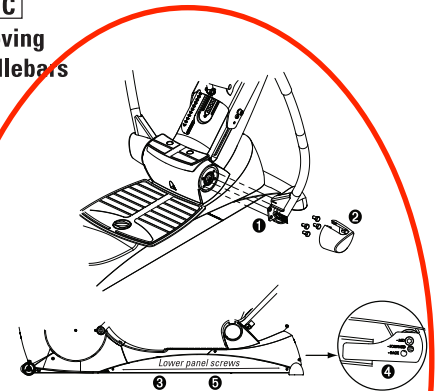
- Slide mast over screws on base; insert B-3 (Qty 4 black zinc); tighten all 6 screws (30 ft-lb).
- Connect cable (mast to base).
- Connect heart rate cable in mast to base and console.
- Connect cable (mast to console); attach console and arcs to mast with C-1 (Qty 4).
- Connect keypad ribbon cable; attach keypad with C-2 (Qty 4).
- Remove protective films.

B Seat & Heart Rate Module



- Remove seat axle from carriage (slides out left side of unit).
- Lift tilt handle; slide seat assembly onto carriage; re-insert axle and tighten (17 ft-lb).
- Lay handlebar across seat assembly; connect 2 heart rate cables (seat tube to base & seat tube to handlebar).
- Connect control button cables (seat handles to base).
- Attach lower end of damper to base.
- Attach handlebar & seat pad with B-4 & B-8 (Qty 4).
- Attach accessory holders with B-5 (Qty 6).
- Tilt seat forward; insert tilt cable in hole and slide up.

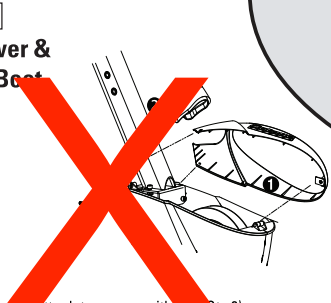
C Moving Handlebars



- Attach moving handlebar at hub with B-2 (Qty 4); tighten to 30 ft-lb.
 - Slide cover over handlebar base.
- OPTIONAL—Adjust moving handlebar for 1" longer or shorter reach:*
- Remove lower panel.
 - Hold handlebar, remove and reposition bolt.
 - Replace lower panel.

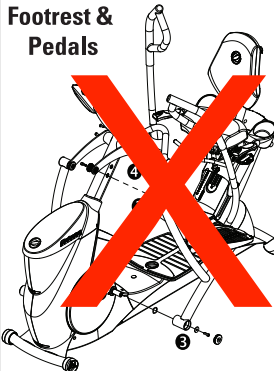
Settings on both handlebars must match.

D Top Cover & Mast Boot



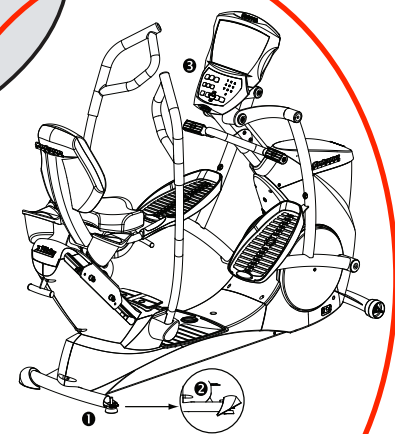
- Attach top cover with B-1 (Qty 2).
- Wrap mast boot around mast.

E Footrest & Pedals



- Slide B-12 (Qty 1) and lower end of pedal onto crank axle.
- Attach upper pedal hub with B-13 and B11 (Qty 1).
- Attach lower hub with B-6 and B-9 (Qty 1). Press B-10 in hub.
- Attach foot rest bracket to mast with B-7 (Qty 4).

F Level Unit



- Adjust and lock levelers; **make sure nut is tight.**
- Press leveler caps over stabilizer bar.
- Set User Settings (Level \leftarrow/\rightarrow) — See Operations Manual